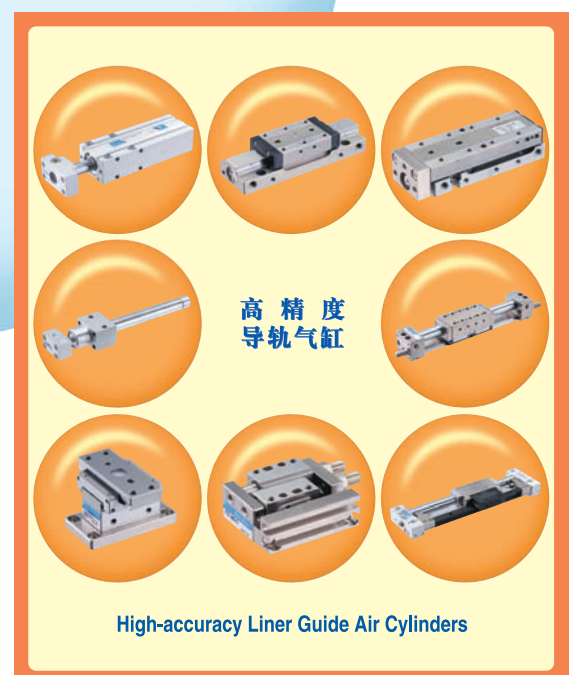


气动元件 产品指南

Pneumatic Products Guide



New-Era®



Flash Up New-Era® Brand!

株式会社 ニューエラー

New-Era® *New-Era*®

New-Era Co., Ltd.

New-Era® *New-Era*®



总公司: Main Office

<http://www.jimmy8888.com>

Pneumatic
Products
Guide

CONTENTS

平行气爪·····P 3 - 11
摆动气爪·····P 12 - 13
回转缸·····P 14 - 17
气缸·····P 18 - 21
导轨气缸·····P 22 - 27
阀·流体元件·····P 28

Parallel type Gripper·····P 3 - 11
Angular type Gripper·····P 12 - 13
Rotary Actuator·····P 14 - 17
Air Cylinder·····P 18 - 21
Guided Cylinder·····P 22 - 27
Valve · Logic Element·····P 28

产品目录使用方法

- 本产品目录是综合产品目录的摘要版。由于版面有限，无法对细节加以介绍，敬请谅解。
详细内容请咨询本公司营业部。
- 所刊载的产品中，有些已获专利、实用新型专利、外观设计等知识产权，有些则在申请中，敬请注意。
- 所刊载产品的规格如有变更，恕不另行通知。

Notes on the Use this Products Guide

- This is the Digest of New-Era's Comprehensive Catalogue.
Please note that the space does not permit a detailed explanation of our products.
Please contact our Sales Division, of which contact address is as given at left, for details where necessary.
- Please remember that some of the Products shown in this Catalogue are protected by or under application for Intellectual Property Right such as Patent, New Design for Practical Use or Registration of Design.
- The Products covered in this Catalogue are subject to change without notice.

微型气爪 : Grippers

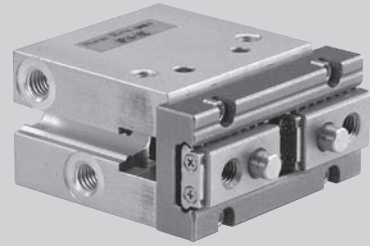
HP14系列 · 平行气爪 / 高刚性紧凑型 | HP14series (Parallel, High Rigidity, Compact Gripper)

[特点]

- 小型、轻量，重量约为HP04的45%
- 气爪指部采用线性轴承，寿命长、进一步提高了刚性
- 可在3个方向安装本体
- 重复精度高(±0.01mm以下)
- 优良的中心精确度(±0.07mm以下)
- 采用埋入式开关

[Features]

- Downsizing(45%) and weight saving(40%)
- Linear bearing guide makes longer life and high rigidity
- 3-way installation available
- High repeat accuracy: ±0.01mm
- Great centering accuracy: ±0.07mm
- Built-in sensor switch (option)



已注册外观设计

规格/Specifications

型号 Model	双作用型 Double acting	HP14-10C	HP14-16C	HP14-20C	HP14-25C
缸径(mm) Bore Size (mm)		10	16	20	25
开闭行程(mm) Stroke (mm)		4	6	10	14
重量(g) Weight (g)		45	96	205	366

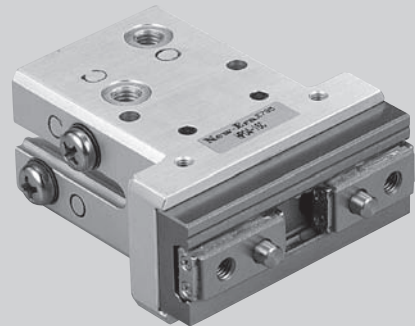
HP04系列 · 平行气爪 / 高刚性型 | HP04series (Parallel, High Rigidity Type)

[特点]

- 气爪指部采用线性轴承，寿命长、进一步提高了刚性
- 可在3个方向安装本体
- 重复精度高(±0.01mm以下)
- 优良的中心精确度(±0.07mm以下)
- 采用埋入式开关
- 可制作无尘规格(定制)

[Features]

- Use linear bearings in the lever section
- Longer life / High gripping accuracy / High rigidity
- 3-way installation
- High gripping repeatability ±0.01mm
- High centering accuracy ±0.07mm
- Built-in sensor switch
- Available clean room use (Class 10, special option)



规格/Specifications

型号 Model	双作用型 Double acting	HP04-8C	HP04-10C	HP04-16C	HP04-20C	HP04-32C	HP04-50C
	单作用型 Single acting	HP04-8A	HP04-10A	HP04-16A	HP04-20A	——	——
缸径(mm) Bore Size (mm)		8	10	16	20	32	50
开闭行程(mm) Stroke (mm)		4	6.5	10	14	22	36
重量(g) Weight (g)		22/23	80/81	159/160	329/330	664	1,850

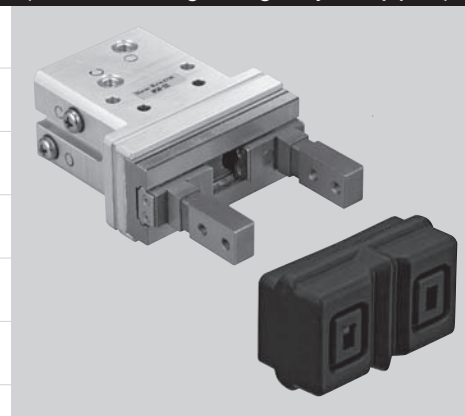
HP04F系列 · 平行气爪/高刚性型 | HP04F series (Parallel, High Rigidity Gripper)

[特点]

- 采用长气爪指，并且可安装防尘罩 (NBR、氟、硅)
- 气爪指部采用线性轴承，寿命长，进一步提高了刚性
- 可在3个方向安装本体
- 重复精度高 ($\pm 0.01\text{mm}$ 以下)
- 优良的中心精确度 ($\pm 0.07\text{mm}$ 以下)
- 采用埋入式开关

[Features]

- Long levers with Dustproof covers (NBR, Silicone Rubber and Fluorine Rubber)
- Linear bearing guide makes longer life and high rigidity
- 3-way installation available
- High repeat accuracy: $\pm 0.01\text{mm}$
- Great centering accuracy: $\pm 0.07\text{mm}$
- Embossed sensor switch (option)



规格/Specifications

型号 Model	双作用型 Double acting	HP04F-8C	HP04F-10C	HP04F-16C	HP04F-20C
	单作用型 Single acting	HP04F-8A	HP04F-10A	HP04F-16A	HP04F-20A
缸径(mm) Bore Size (mm)		8	10	16	20
开闭行程(mm) Stroke (mm)		4	6.5	10	14
重量(g) Weight (g)		28	91	181	371

HP04L系列 · 平行气爪/高刚性型 | HP04L series (Parallel, High Rigidity, Longer Stroke Gripper)

[特点]

- 行程约为标准型的2倍
- 气爪指部采用线性轴承，寿命长，进一步提高了刚性
- 可在3个方向安装本体
- 重复精度高 ($\pm 0.01\text{mm}$ 以下)
- 优良的中心精确度 ($\pm 0.07\text{mm}$ 以下)
- 采用埋入式开关
- 可制作无尘规格(定制)

[Features]

- Long Stroke: Twice stroke of standard HP04
- Linear bearing guide makes longer life and high rigidity
- 3-way installation available
- High repeat accuracy: $\pm 0.01\text{mm}$
- Great centering accuracy: $\pm 0.07\text{mm}$
- Embossed sensor switch (option)
- Available clean room use (Class 10, special option)



规格/Specifications

型号 Model	双作用型 Double acting	HP04L-8C	HP04L-10C	HP04L-16C	HP04L-20C
缸径(mm) Bore Size (mm)		8	10	16	20
开闭行程(mm) Stroke (mm)		8	12	16	22
重量(g) Weight (g)		27	90	168	368

HP04V系列 · 高刚性带电磁阀气爪 | HP04V series (High Rigidity Gripper with Solenoid Valve)

[特点]

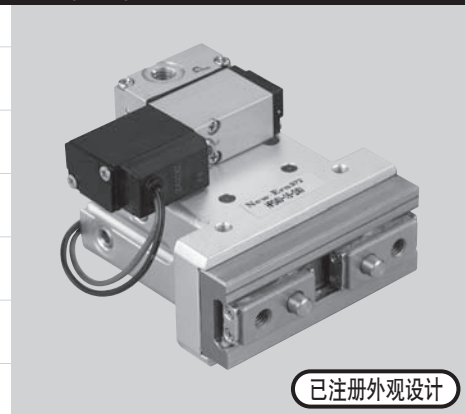
- 带省配管电磁阀
- 配管距离短，响应速度快
- 气爪指部采用线性轴承

[Features]

- Piping-saving Solenoid Valve provided
- Increased Response Speed as short Piping Length
- Linear Bearing adopted in the lever section

规格/Specifications

型号 Model	双作用型 Double acting	HP04V-10	HP04V-16	HP04V-20
缸径(mm) Bore Size (mm)		10	16	20
开闭行程(mm) Stroke (mm)		6.5	10	14
重量(g) Weight (g)		105	180	360



已注册外观设计

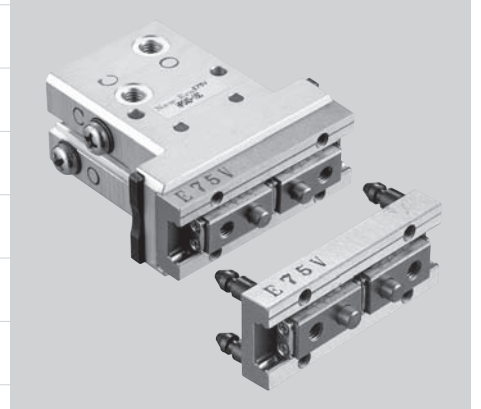
HP04D系列 · 轴承拆卸式平行气爪 | HP04D series (Detachable-, Parallel Gripper)

[特点]

- 轴承可单触式拆卸为后爪附件的更换作业提供了新方法
- 采用以下3种方式销售：①本体 + 轴承 ②仅本体 ③仅轴承
- 性能与HP04系列相同

[Features]

- Detachable levers with bearings
Easy exchange of attachment levers
- Sales unit: ① Gripper main body + levers with bearings ② Gripper main body only ③ Levers with bearings only
- Functionally-equivalent to HP04 series



规格/Specifications

型号 Model	双作用型 Double acting	HP04D-10C	HP04D-16C	HP04D-20C
缸径(mm) Bore Size (mm)		10	16	20
开闭行程(mm) Stroke (mm)		6.5	10	14
重量(g) Weight (g)		80	160	320

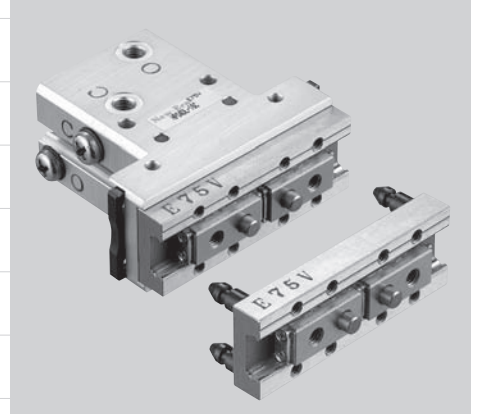
HP04DL系列 · 轴承拆卸式平行气爪 | HP04DL series (Detachable-, Parallel Gripper)

[特点]

- 行程约为HP04D系列的2倍
- 轴承可单触式拆卸为后爪附件的更换作业提供了新方法
- 采用以下3种方式销售：①本体 + 轴承 ②仅本体 ③仅轴承
- 性能与HP04L系列相同

[Features]

- Twice stroke of HP04D series
- Detachable levers with bearings
Easy exchange of attachment levers
- Sales unit: ① Gripper main body + levers with bearings ② Gripper main body only ③ Levers with bearings only
- Functionally-equivalent to HP04L series



规格/Specifications

型号 Model	双作用型 Double acting	HP04DL-10C	HP04DL-16C	HP04DL-20C
缸径(mm) Bore Size (mm)		10	16	20
开闭行程(mm) Stroke (mm)		12	16	22
重量(g) Weight (g)		90	170	370

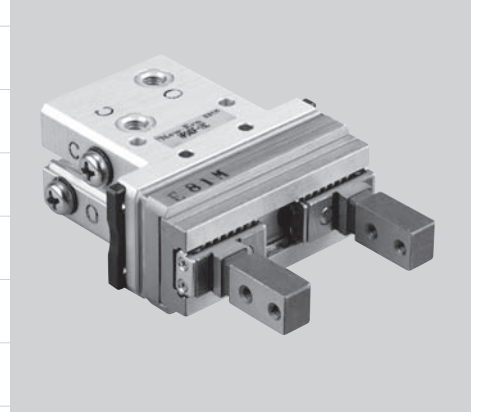
HP04DF系列 · 轴承拆卸式平行气爪 | HP04DF series (Detachable-, Parallel Gripper)

[特点]

- HP04D的长气爪式
可安装防尘罩(NBR、氟、硅)
- 防尘罩和轴承可一体拆卸
- 采用以下3种方式销售：①本体 + 轴承 ②仅本体 ③仅轴承
- 性能与HP04F系列相同

[Features]

- Longer levers of HP04D series
Available for use of dustproof covers (NBR, Fluorine rubber and silicone rubber)
- Detachable levers with bearing and dustproof cover
- Sales unit: ① Gripper main body + levers with bearings ② Gripper main body only ③ Levers with bearings only
- Functionally-equivalent to HP04F series



规格/Specifications

型号 Model	双作用型 Double acting	HP04DF-10C	HP04DF-16C	HP04DF-20C
缸径(mm) Bore Size (mm)		10	16	20
开闭行程(mm) Stroke (mm)		6.5	10	14
重量(g) Weight (g)		80	160	320

HP06系列 · 平行气爪/超薄型 | HP06 series (Parallel, Thin Body Type)

[特点]

- 超薄型
- 长行程
- 高夹持力
- 夹持精度
- 行程可调

[Features]

- Very thin body
- Long stroke
- High gripping force
- High gripping accuracy
- Adjustable stroke



规格/Specifications

型号 Model	HP06-6※-S			HP06-6※-L			HP06-8※-S			HP06-8※-L			HP06-12※-S			HP06-12※-L		
	JA	JB	JC	JA	JB	JC	JA	JB	JC	JA	JB	JC	JA	JB	JC	JA	JB	JC
缸径(mm) Bore Size (mm)	6×2						8×2						12×2					
开闭行程(mm) Stroke (mm)	12			20			16			34			22			50		
配管口径 Port Size	M3×0.5						M3×0.5						M5×0.8					
重量(g) Weight (g)	52			60			86			135			200			330		
	52	52	52	60	60	60	87	87	88	136	136	137	203	203	206	333	333	336

型号 Model	HP06-14※-S			HP06-14※-L			HP06-18※-S			HP06-18※-L			HP06-25※-S			HP06-25※-L		
	JA	JB	JC	JA	JB	JC	JA	JB	JC	JA	JB	JC	JA	JB	JC	JA	JB	JC
缸径(mm) Bore Size (mm)	14×2						18×2						25×2					
开闭行程(mm) Stroke (mm)	30			60			40			80			50			100		
配管口径 Port Size	M5×0.8						M5×0.8						M5×0.8					
重量(g) Weight (g)	390			570			690			1,020			1,520			2,320		
	395	395	400	580	580	590	700	700	710	1,030	1,030	1,040	1,532	1,532	1,544	2,332	2,332	2,344

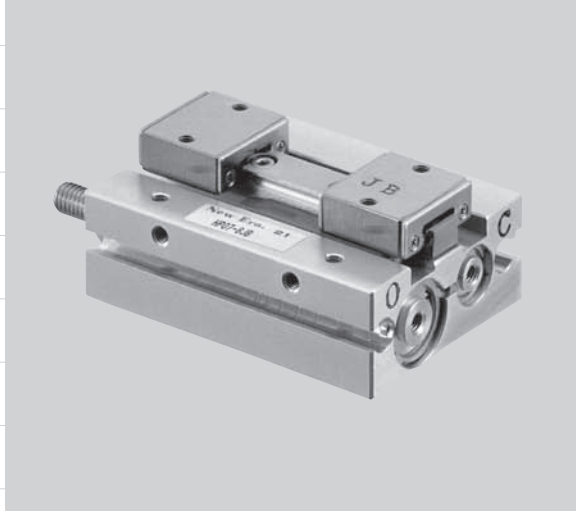
HP07系列 · 非同步平行气爪/超薄型 | HP07 series (Asynchronous, Thin Body Type)

[特点]

- 非同步型
(可进行工件端面的定位)
- 超薄型
- 长行程
- 高夹持力
- 停止位置可微调
- 采用埋入式开关

[Features]

- Asynchronous type (*)
- Very thin body
- Long stroke
- High gripping force
- Adjustable stop position
(Opened side: JA, Closed side: JB)
- Built-in sensor switch
- * Asynchronous function:
Useful for aligning one side edge of workpieces to the same position though their sizes are different.



规格/Specifications

型号 Model	HP07-8JA	HP07-8JB	HP07-12JA	HP07-12JB
缸径(mm) Bore Size (mm)	8+12		12+16	
开闭行程(mm) Stroke (mm)	16		22	
配管口径 Port Size	M3×0.5		M5×0.8	
重量(g) Weight (g)	128		251	

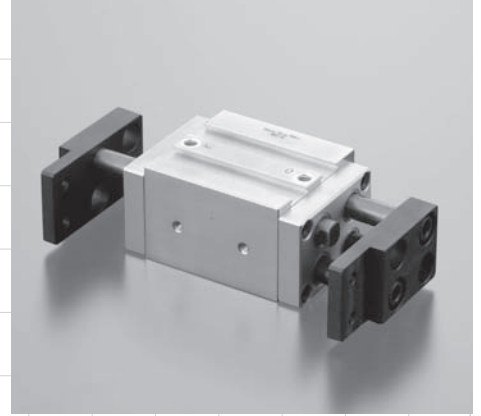
HP01 系列 · 平行气爪 | HP01 series (Parallel Type)

[特点]

- 40mm的长行程
- 采用双活塞方式获得高夹持力
- 各侧气爪指由2根活塞杆支撑，且采用铁制，实现了高刚性

[Features]

- 40mm long stroke
- Powerful gripping force because of twin piston
- 2 rods stabilize each side lever, and metal construction gives high rigidity



规格/Specifications

型号 Model	HP01-16	HP01-25
缸径(mm) Bore Size (mm)	16×2	25×2
开闭行程(mm) Stroke (mm)	40	
配管口径 Port Size	M5×0.8	
重量(g) Weight (g)	890	1,600

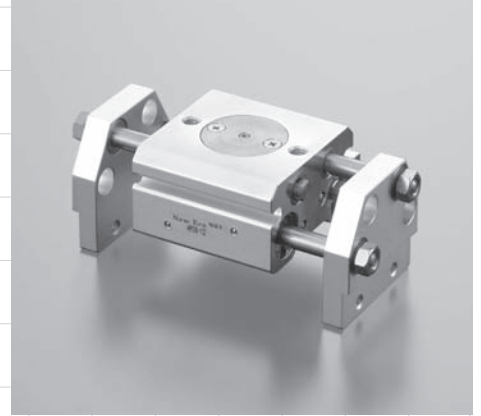
HP08 系列 · 蟹式平行气爪 | HP08 series (Parallel, Crab Type)

[特点]

- 轻量、薄型
- 长行程
- 高夹持力、高刚性
- 采用埋入式开关

[Features]

- Extra light and slim body
- Long stroke
- High gripping force and high rigidity
- Built-in sensor switch



规格/Specifications

型号 Model	HP08-12	HP08-16	HP08-20	HP08-25
缸径(mm) Bore Size (mm)	12×2	16×2	20×2	25×2
开闭行程(mm) Stroke (mm)	24	32	40	50
配管口径 Port Size	M5×0.8			
重量(g) Weight (g)	230	400	760	1,100

EHPE 系列 · 平行气爪 | EHPE series (Parallel Type)

[特点]

- 长寿命
- 高夹持力
- 可在3个方向安装
- 高夹持精度
- 采用埋入式开关
- 可选配安装适配器
- A: 常开
C: 双作动

[Features]

- Longer Life
- Powerful Gripping Force
- High Gripping Accuracy
- 3-way installation
- Buil-in Sensor Switch
- Optional installation adapters
- A: Normally open type
●C: Double acting type



规格/Specifications

型号 Model	双作动型 Double acting	EHPE-10C	EHPE-16C	EHPE-20C	EHPE-25C
	单作动型 Single acting	EHPE-10A	EHPE-16A	EHPE-20A	EHPE-25A
缸径(mm) Bore Size (mm)		10	16	20	25
开闭行程(mm) Stroke (mm)		4	8	12	14
配管口径 Port Size		M3×0.5	M5×0.8		
重量(g) Weight (g)		47/48	120/121	230/232	388/392

HP03E系列·平行气爪 | HP03E series (Parallel Type)

[特点]

- 长寿命
- 高夹持精度(交叉辊)
- 可选配防尘罩(φ6除外)
- 还可选配安装适配器
- 采用埋入式开关
- 可在3个方向安装

[Features]

- Longer life
- High gripping accuracy
- Available dust proof cover (option) (except Bore Size 6 φ)
- Mounting Brackets provided as a optional equipment
- Built-in sensor switch
- 3-way installation



规格/Specifications

型号 Model	双作用型 Double acting	HP03E-6C	HP03E-10C	HP03E-16C	HP03E-20C	HP03E-25C
	单作用型 Single acting	HP03E-6A	HP03E-10A	HP03E-16A	HP03E-20A	HP03E-25A
缸径(mm) Bore Size (mm)		6	10	16	20	25
开闭行程(mm) Stroke (mm)		4	4	8	12	14
配管口径 Port Size		M3×0.5		M5×0.8		
重复精度(mm) Gripping repeatability (mm)		±0.01				
重量(g) Weight (g)		28/28	48/49	120/121	218/220	366/368

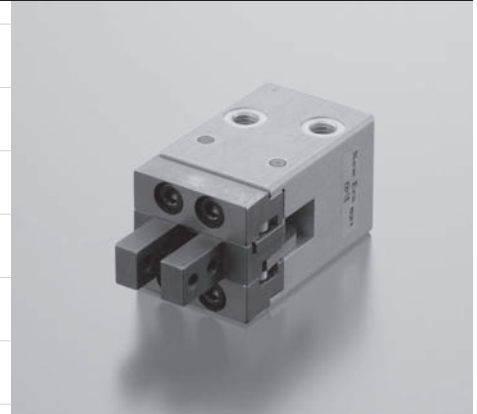
(C)KH系列·平行气爪 | (C)KH series (Parallel Type)

[特点]

- 小型、轻量
- 长寿命
- 本体尺寸相同(CKH系列)
- (C)带开关

[Features]

- Compact / light weight
- Longer Life
- Same dimensions between switch and no switch type
- Available with switch (CKH)



规格/Specifications

型号 Model	KH-16	CKH-16	KH-20	CKH-20
缸径(mm) Bore Size (mm)	16		20	
开闭行程(mm) Stroke (mm)	5		6	
配管口径 Port Size	M5×0.8			
重量(g) Weight (g)	104	119	212	227

(C)KHL系列·平行气爪 | (C)KHL series (Parallel Type)

[特点]

- 继承了KH系列的特点, 并且开闭行程长
- 2面均设有气孔, 可根据安装状态选择其中之一

[Features]

- Long opening strokes added to the features of the KH series
- Ports on 2 surfaces provide flexibility for installation



规格/Specifications

型号 Model	KHL-16	CKHL-16	KHL-20	CKHL-20	KHL-32	CKHL-32
缸径(mm) Bore Size (mm)	16		20		32	
开闭行程(mm) Stroke (mm)	10		12		16	
配管口径 Port Size	M5×0.8					
重量(g) Weight (g)	142	157	273	289	513	529

HP15系列 · 三爪气爪 / 高刚性 · 高精度带中空孔型 | HP15series (Parallel, 3 levers, Through Hole Gripper)

[特点]

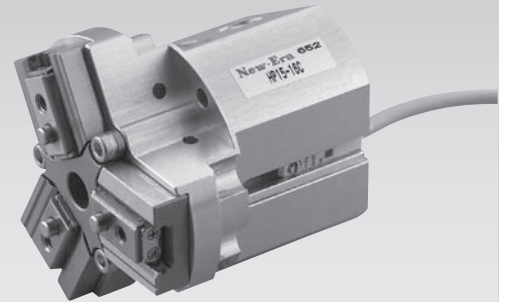
- 气爪指部采用线性轴承，寿命长、进一步提高了刚性
- 带中空孔
- 提供多种安装方式
- 重复精度高 ($\pm 0.01\text{mm}$ 以下)
- 优良的中心精确度 ($\pm 0.05\text{mm}$)
- 采用埋入式开关

[Features]

- Linear bearing guide makes longer life and high rigidity
- Through hole in the center
- Multiple-way installation available
- High repeat accuracy: $\pm 0.01\text{mm}$
- Great centering accuracy: $\pm 0.05\text{mm}$
- Built-in sensor switch

规格/Specifications

型号 Model	双作用型 Double acting	HP15-16C	HP15-20C	HP15-25C
缸径(mm) Bore Size (mm)		16	20	25
开闭行程(mm) Stroke (mm)		3	5	7
中空孔径(mm) Through Hole (mm)		$\phi 6$	$\phi 6$	$\phi 9$
重量(g) Weight (g)		170	306	580



已注册外观设计

HP05系列 · 三爪平行气爪 | HP05series (Parallel, 3 levers Type)

[特点]

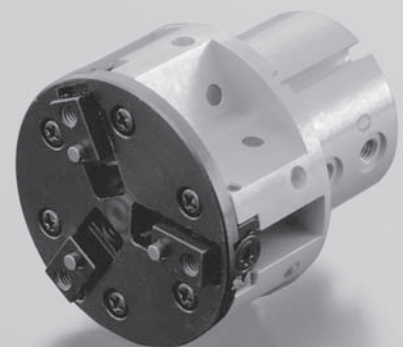
- 使用交叉滚子导轨的三爪平行气爪
- 重复精度高 ($\pm 0.01\text{mm}$ 以下)
- 气爪指具有2种形状：短杆型和长杆型。

[Features]

- Cross roller guide adopted
- High gripping repeatability $\pm 0.01\text{mm}$
- 2 type lever variations: short type / long type

规格/Specifications

型号 Model	HP05-16-S/L	HP05-20-S/L
缸径(mm) Bore Size (mm)	16	20
开闭行程(mm) Stroke (mm)	8	12
配管口径 Port Size	M5 \times 0.8	
重复精度(mm) Gripping repeatability (mm)	± 0.01	
重量(g) Weight (g)	S/L 156 / 168	284 / 308



HP09系列 · 高刚性机械夹爪 | HP09 series (Mechanical Gripper)

[特点]

- 无需空气配管的机械夹爪
- 通过弹簧力夹持
- 夹爪指通过外力打开
- 高精度、长寿命
- 夹爪指部采用线性轴承

[Features]

- Air piping free, mechanical type
- Gripping by spring force
(2 kinds of spring force: L type / M type)
- External force operates levers
- High accuracy / Longer Life
- High centering accuracy
- Linear Bearing adopted in the lever section

规格/Specifications

型号 Model	HP09-8	HP09-10	HP09-16	HP09-20
缸径(mm) Bore Size (mm)	8	10	16	20
开闭行程(mm) Stroke (mm)	4	6.5	10	14
重量(g) Weight (g)	31	78	156	312



HP09F系列 · 高刚性机械夹爪 | HP09F series (High Rigidity Mechanical Gripper)

[特点]

- 采用长夹爪指，并可安装防尘罩 (NBR、氟、硅)
- 夹爪指部采用线性轴承，寿命长、进一步提高了刚性
- 无需空气配管的机械夹爪
- 通过弹簧力夹持(L:低 M:中 H:高)
- 夹爪指通过外力打开
- 重复精度高(±0.01mm以下)
- 优良的中心精确度(±0.07mm以下)

[Features]

- Long levers with Dustproof covers (NBR, Silicone Rubber and Fluorine Rubber)
- Linear bearing guide makes longer life and high rigidity
- Air piping is free (No air supply)
- Gripped by spring force (small/medium/big)
- Levers opened by external force
- High repeat accuracy: ±0.01mm
- Great centering accuracy: ±0.07mm

规格/Specifications

型号 Model	HP09F-8	HP09F-10	HP09F-16	HP09F-20
缸径(mm) Bore Size (mm)	8	10	16	20
开闭行程(mm) Stroke (mm)	4	6.5	10	14
重量(g) Weight (g)	36	88	177	353



HP09L系列 · 高刚性长行程机械夹爪 | HP09L series (Parallel, High Rigidity, Long Stroke Mechanical Gripper)

[特点]

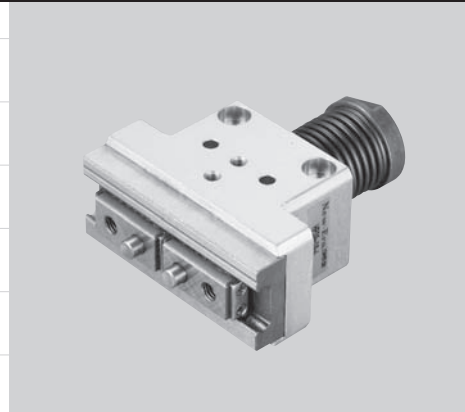
- 行程约为标准型的2倍
- 夹爪指部采用线性轴承，寿命长、进一步提高了刚性
- 无需空气配管的机械夹爪
- 通过弹簧力夹持(L:低 M:中 H:高)
- 夹爪指通过外力打开
- 重复精度高(±0.01mm以下)
- 优良的中心精确度(±0.07mm以下)

[Features]

- Long stroke: Twice stroke of standard HP04
- Linear bearing guide makes longer life and high rigidity
- Air piping is free (No air supply)
- Gripped by spring force (small/medium/big)
- Levers opened by external force
- High repeat accuracy: ±0.01mm
- Great centering accuracy: ±0.07mm

规格/Specifications

型号 Model	HP09L-8-L/M/H	HP09L-10-L/M/H	HP09L-16-L/M/H	HP09L-20-L/M/H
缸径(mm) Bore Size (mm)	8	10	16	20
开闭行程(mm) Stroke (mm)	8	12	16	22
重量(g) Weight (g)	34	100	186	366



HP15M 系列 · 高刚性三爪式机械夹爪 · 带中空孔 | HP15M series (Parallel, High Rigidity, Through Hole, Mechanical Gripper)

[特点]

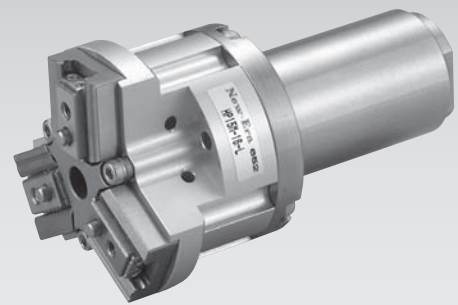
- 夹爪指部采用线性轴承，寿命长、进一步提高了刚性
- 带中空孔
- 无需空气配管的机械夹爪
- 通过弹簧力夹持 (L:低 M:中 H:高)
- 夹爪指通过外力打开
- 重复精度高 ($\pm 0.01\text{mm}$ 以下)
- 优良的中心精确度 ($\pm 0.05\text{mm}$)

[Features]

- Linear bearing guide makes longer life and high rigidity
- Through hole in the center
- Air piping is free (No air supply)
- Gripped by spring force (small/medium/big)
- Levers opened by external force
- High repeat accuracy: $\pm 0.01\text{mm}$
- Great centering accuracy: $\pm 0.05\text{mm}$

规格/Specifications

型号 Model	双作用型 Double acting	HP15M-16-L/M/H	HP15M-20-L/M/H	HP15M-25-L/M/H
缸径(mm) Bore Size (mm)		16	20	25
开闭行程(mm) Stroke (mm)		3	5	7
中空孔径(mm) Through Hole (mm)		$\phi 6$	$\phi 6$	$\phi 9$
重量(g) Weight (g)		300	560	870



已注册外观设计

HP10 系列 · 机械夹爪 | HP10 series (Mechanical Gripper)

[特点]

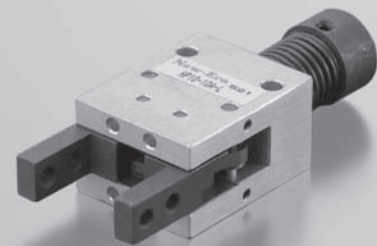
- 无需空气配管的机械夹爪
- 通过弹簧力夹持
- 通过外力进行夹爪指开闭
- 备有常开和常闭2种类型

[Features]

- Air piping free mechanical type
- Gripping by spring force (2 kinds of spring force: L type / M type)
- External force operates levers
- Two types, normally open and normally closed

规格/Specifications

型号 Model	HP10-10		HP10-16		HP10-20	
	A	B	A	B	A	B
缸径(mm) Bore Size (mm)	10		16		20	
开闭行程(mm) Stroke (mm)	4		8		12	
重量(g) Weight (g)	60		135		245	



EHVE 系列 · 摆动气爪 | EHVE series (Angular Type)

[特点]

- 长寿命
- 开关位置可调
- 可在3个方向安装
- 可选配安装适配器
- A: 常开 C: 双动作

[Features]

- Longer life
- Adjustable sensor position
- 3-way installation
- Optional installation adapters.
- A: Normally open type
- C: Double acting type

规格/Specifications

型号 Model	双作用型 Double acting	EHVE-8C	EHVE-10C	EHVE-16C	EHVE-20C	EHVE-25C
	单作用型 Single acting	EHVE-8A	EHVE-10A	EHVE-16A	EHVE-20A	EHVE-25A
缸径(mm) Bore Size (mm)		8	10	16	20	25
配管口径 Port Size		M3×0.5		M5×0.8		
开闭角度(两侧) Lever Opening angle		30°~ -10°				
重量(g) Weight (g)		23	40	96	180/182	313/317



HV02E 系列 · 摆动气爪 / 180°开闭 | HV02E series (Angular 180°opening Type)

[特点]

- 开闭角度180°
- 高夹持精度
- 高夹持力

[Features]

- Opening angle: 180°
- High gripping accuracy
- Powerful gripping force

规格/Specifications

型号 Model	HV02E-12	HV02E-16	HV02E-20	HV02E-25
缸径(mm) Bore Size (mm)	12	16	20	25
配管口径 Port Size	M3×0.5	M5×0.8		
重量(g) Weight (g)	55	146	277	427



HV02G 系列 · 摆动气爪 / 180°开闭 / 高刚性型 | HV02G series (Angular, 180°opening, High Rigidity Gripper)

[特点]

- 气爪指部采用推力轴承, 高刚性、高精度
- 开闭角度180°
- 高夹持力

[Features]

- Higher Rigidity and accuracy by thrust bearing at levers
- Levers opening angle: 180°
- Stronger gripping force

规格/Specifications

型号 Model	HV02G-12	HV02G-16	HV02G-20
缸径(mm) Bore Size (mm)	12	16	20
配管口径 Port Size	M3×0.5	M5×0.8	M5×0.8
重量(g) Weight (g)	63	168	312



SH系列·V型气爪 | SHseries (Angular Type)

[特点]

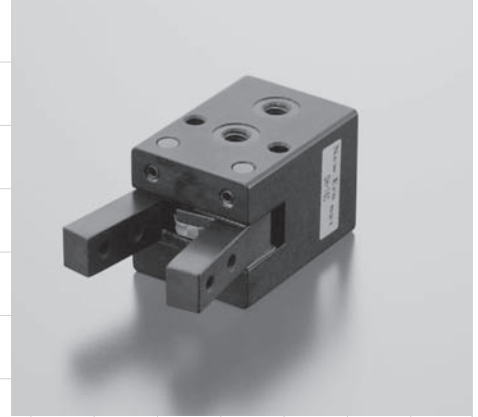
- 小型、轻量
- A: 常开
- C: 双作动

[Features]

- Compact / light weight
- A: Normally open type
- C: Double acting type

规格/Specifications

型号 Model	常开单作动型 Normally open, single acting			双作动型 Double acting	
	SH-12M	SH-16A	CSH-16A	SH-16C	CSH-16C
缸径(mm) Bore Size (mm)	12	16			
配管口径 Port Size	M5×0.8				
开闭角度(两侧) Lever Opening angle	+14°~-6°				
重量(g) Weight (g)	39	90	105	90	105



EHVJ系列·带防尘罩V型气爪 | EHVJseries (Angular Type with Dustproof cover)

[特点]

- 长寿命
- EHVE系列装有防尘罩(NBR、氟、硅)
- 可选配安装适配器
- A: 常开 C: 双作动

[Features]

- Longer life
- Dustproof covers (NBR, Fluorine rubber and silicone rubber)
- Easy mounting bracket (option)
- A: Normally open type
- C: Double acting type

规格/Specifications

型号 Model	双作动型 Double acting	EHVJ-16C	EHVJ-20C
	单作动型 Single acting	EHVJ-16A	EHVJ-20A
缸径(mm) Bore Size (mm)		16	20
配管口径 Port Size	M5×0.8		
开闭角度(两侧) Lever Opening angle	+30°~-10°		
重量(g) Weight (g)		104/105	196/198



RS01 系列 · 回转缸 | RS01 series (Rotary Actuator)

[特点] D型

- 可在3个或4个位置停止
- 具有可调节 β 角的角度调节功能(D型·3个位置除外)
- 可寸动操作
- 径向、轴向极小的缓冲推力
- 可在外部调节停止起点位置

[Features] D type

- Available to stop either 3 or 4 stop positions
- Adjustable rotating angle β (except 3 positions)
- Minimized radial and thrust backlash
- Adjustable stopping and starting points from outside



规格/Specifications

型号 Model	RS01-10D-*	RS01-13D-*	RS01-14D-*	RS01-16D-*	RS01-18D-*	RS01-22D-*
停止位置数 Number of stop position	3·4					
缸径(小径+大径)(mm) Bore (small + large) (mm)	10+14	13+18	14+20	16+24	18+26	22+30
配管口径 Port Size	M5×0.8					
摆动角度(°) Stroke angle	180					
角度调节范围(°)[180°规格] Angle adjusting range(180°spec)	120~180			120~185		
容许能力[J] Permissible Energy	0.002	0.004	0.01	0.035	0.07	0.11
重量(g) Weight (g)	155	270	460	800	1,200	1,800

[特点] B型

- 采用双活塞方式，以小巧的结构实现高扭矩
- 标准配备气垫，实现高容许能力
- 径向、轴向极小的缓冲推力
- 可在外部调节停止起点位置
- 具有可调节 β 角的角度调节功能

[Features] B type

- High-torque realized by double piston type with compact body
- High permissible energy realized by air cushion as a standard.
- Minimized radial and thrust backlash
- Adjustable stopping and starting points from outside
- Adjustable rotating angle β

规格/Specifications

型号 Model	RS01-10B-*	RS01-14B-*	RS01-16B-*	RS01-18B-*	RS01-22B-*
停止位置数 Number of stop position	2				
缸径(小径+大径)(mm) Bore (small + large) (mm)	10+14	14+20	16+24	18+26	22+30
配管口径 Port Size	M5×0.8				
摆动角度(°) Stroke angle	90·180				
角度调节范围(°)[90°规格] Angle adjusting range(90°spec.)	70~95				
角度调节范围(°)[180°规格] Angle adjusting range(180°spec.)	160~185				
容许能力[J] Permissible Energy	0.02	0.03	0.14	0.28	0.42
重量(g) Weight (g)	152	460	800	1,200	1,800

RT01 系列 · 省配管 · 省配线 | RT01series (Wiring & Piping saved type)

[特点]

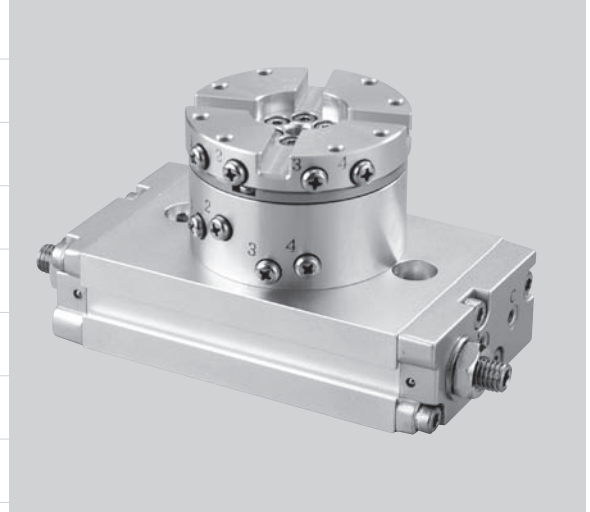
- 省配线
- 省配管
- 多位置停止型回转缸
- 可调节角度
- 带回转式工作台
- 高精度、长寿命
- 可安装传感器
- 安装时定中心方便
- 带回转接头

[Features]

- Wiring and Piping saving
- Multi positioning stop type rotor (D type)
- Built-in air cushion type (B type)
- Adjustable rotating angle
- Turning table provided
- High accuracy & longer life
- 2 sensor switches available
- Easy centering at installation
- Swivel joint provided

规格/Specifications

型号 Model	RT01-18B-*	RT01-22B-*	RT01-18D-*	RT01-22D-*
缸径(小径+大径)(mm) Bore (small + large) (mm)	18+26	22+30	18+26	22+30
配管口径 Port Size	M5×0.8			
重量(g) Weight (g)	1,650	2,620	1,630	2,570



RT02 系列 · 省配线 | RT02series (Wiring saved type)

[特点]

- 薄型
- 省配线
- 多位置停止型回转缸
- 可调节角度
- 带回转式工作台
- 高精度、长寿命
- 可安装传感器
- 安装时定中心方便

[Features]

- Thin type
- Wiring saving
- Multi positioning stop type rotor (D type)
- Adjustable rotating angle
- Turning table provided
- High accuracy & longer life
- 2 sensor switches available
- Easy centering at installation



气压缓冲型(Air cushion type)

规格/Specifications

型号 Model	RT02-10B-*	RT02-16B-*	RT02-18B-*	RT02-22B-*
缸径(小径+大径)(mm) Bore (small + large) (mm)	10+14	16+24	18+26	22+30
配管口径 Port Size	M3×0.5	M5×0.8		
重量(g) Weight (g)	172	830	1,250	1,995

多位置停止型(Multi positioning stop type)

规格/Specifications

型号 Model	RT02-10D-*	RT02-16D-*	RT02-18D-*	RT02-22D-*
缸径(小径+大径)(mm) Bore (small + large) (mm)	10+14	16+24	18+26	22+30
配管口径 Port Size	M3×0.5	M5×0.8		
重量(g) Weight (g)	175	820	1,230	1,985

RS02系列 · 回转缸/本体圆形 · 多点停止型

RS02series, Vane Rotary Actuator (Round body, Multi-stop Type)

[特点]

- 使用方便的摆动角度
- 动作稳定, 无弹出现象
- 可在高温下使用(仅限RS02A 1~20)
- 节气阀与轴一体化, 实现了高耐久性
- 可在3个或4个位置停止

[Features]

- Easy-to use Swing angle
- Stable and smooth operation
- Durability to high temperature (RS02A-1 ~ 20 only)
- High durability by intergrated Valve and Shaft
- Available 3-stop or 4-stop positions



规格/Specifications

型号 Model	单节气阀 Single Vane	RS02A-1S	RS02A-3S	RS02A-10S	RS02A-20S	RS02-30S
有效扭矩(N·cm)* Effective Torque (N·cm)		10.1	24	75	133	250
摆动角度(°) Stroke angle (°)		90 · 180 · 270				
重量(g) Weight (g)		36	70	140	250	470

型号 Model	双节气阀 Double Vane	RS02A-1D	RS02A-3D	RS02A-10D	RS02A-20D	RS02-30D
有效扭矩(N·cm)* Effective Torque (N·cm)		22.5	54	162	306	600
摆动角度(°) Stroke angle (°)		90				
重量(g) Weight (g)		37	72	150	260	480

型号 Model	单节气阀 Single Vane	SH5S	SH20S
内侧有效扭矩(N·cm)* Internal Effective Torque (N·cm)		34	145
外侧有效扭矩(N·cm)* External Effective Torque (N·cm)		171	440
内侧角度(°) Internal Swing angle (°)		30 ~ 180	
外侧角度(°) External Swing angle (°)		30 ~ 180	
重量(g) Weight (g)		500	1,130

型号 Model	双节气阀 Double Vane	SH5D	SH20D
内侧有效扭矩(N·cm)* Internal Effective Torque (N·cm)		67.9	290
外侧有效扭矩(N·cm)* External Effective Torque (N·cm)		171	440
内侧角度(°) Internal Swing angle (°)		30 ~ 90	
外侧角度(°) External Swing angle (°)		30 ~ 180	
重量(g) Weight (g)		510	1,100

※空气压力0.4MPa时(At air pressure 0.4MPa)



SR,RSR系列 · 小型回转缸 | SR,RSR series (Mini Rotor)

[特点]

- 小型、轻量
- 零间隙

[Features]

- Compact and Light weight
- Non-backlash



规格/Specifications

型号 Model	RSR-9-90	RSR-9-180	SR(RSR)-12-90	SR(RSR)-12-180	SR(RSR)-20-90	SR(RSR)-20-180
缸径(mm) Bore Size (mm)	9		12		20	
轴径(mm) Shaft dia.(mm)	6		6		8	
摆动角度(°) Stroke angle	90	180	90	180	90	180
角度调节范围(°) Angle adjusting range	±5					
重量(g) Weight (g)	60	75	110(128)	135(128)	250(250)	320(318)

RH01系列 · 气爪回转缸 | RH01series (Rotar with Gripper)

[特点]

- 回转缸(2位置·3位置停止型)与各种气爪完全一体化(行业首创)
- 气爪旋转和夹持的组合动作灵活自如

[Features]

- Integrated rotary actuator (2 or 3 positions stopping type) with various air-grippers
- Available complex operation with complete control of rotation and gripping



规格/Specifications

型号 Model	转子部 Rotary actuator		气爪部 Gripper					
	D α	B β	G16C	P16C(A)	V16C(A)	O16C	G20C	P20C
缸径(小径+大径)(mm) Bore (small + large) (mm)	14+20		16			20		
开闭行程·摆动角(mm) Stroke / Stroke angle (mm)	—		10	8	+13°~-10°	+180°~-5°	14	12
配管口径 Port Size	M5×0.8							

CA.CS03系列 · 小型气缸 | CA.CS03 series (Micro Air Cylinder)

[特点]

- 进一步减轻了本体重量
- 提高了耐磨损性
- 减少了活塞杆轴承部、悬耳轴承部的间隙
- 可高速驱动 ($\phi 10 \cdot 16$)
- 缩短了带感应器气缸的全长
- 缸径(mm)/2.5、4、6、10、16

[Features]

- Light weight body
- Improved abrasion proof
- Diminish the gap in rod / bearing section and clevis / bearing section
- Possible to drive high speed ($\phi 10 \cdot 16$)
- Shorten the length of switch cylinder
- Bore size (mm)/2.5, 4, 6, 10, 16

[种类]

- 标准气缸
- 双活塞杆气缸
- 行程调节气缸 (推、拉)
- 双行程气缸
- 多位气缸
- 耐热气缸
- 内置调速器
- 气垫
- 无尘室
- 带开关

[Variations]

- Standard cylinder
- Double rods air cylinder
- Adjustable stroke cylinder (Push / Pull)
- Dual stroke cylinder
- Multi positioning cylinder
- Heat proof cylinder
- With speed controller
- Air cushion
- Clean room
- With sensor switch



已注册外观设计

EM系列 · 气缸 | EM series (Air Cylinder)

[特点]

- 无注油型
- 耐久性提高、轻量化
- 符合ISO标准
- 多种支承形式
- 多种动作形式
- 缸径(mm)/8、10、12、16、20、25、32、40

[Features]

- Non lubricating type
- Improved durability and lightweight
- Based on ISO standard
- Various supporting type
- Various action type
- Bore size (mm)/8, 10, 12, 16, 20, 25, 32, 40



M系列 · 小型气缸 | M series (Miniature Air Cylinder)

[特点]

- 多品种
- 彻底的防锈处理
- 可随时发货 (ND型、PD型)
- 高性能
- 维护方便 (可拆卸)
- 缸径(mm)/20、28

[Features]

- Wide variation
- Perfect anti-rust finishing
- Quick delivery (ND type, PD type)
- High efficiency
- Easy maintenance (disassemble)
- Bore size (mm)/20, 28



PN系列 · 面板式螺牙型气缸 | PNseries (Panel Cylinder)

[特点]

- 节省空间
- 安装方便
- 配管简洁
- 单作动型 · 双作动型
- 缸径(mm)/6、10、16

[Features]

- Saving space
- Simple installation
- Shapely piping
- Single acting type and Double acting type
- Bore size(mm)/6, 10, 16



SP系列 · 薄型气缸 | SPseries (Slim Type Air Cylinder)

[特点]

- 使用铝合金的轻量薄型气缸
- 活塞杆前端部采用内螺纹，便于配对侧安装
- 可制作外螺纹型的活塞杆前端部
- 本体安装孔采用沉孔，结构紧凑
- 设有对接部，定位方便
- 缸径(mm)/12、20、32、40、50、63、80、100

[Features]

- Lightweight, Ultra-slim and space-saving cylinder by Aluminum alloy
- Female screw on top of rods gives easy installing
- Male screw on top of rods gives installing
- Compact without protruding bolts in the counter bores
- Easy positioning by using in-low hole of rod side
- Bore size(mm)/12, 20, 32, 40, 50, 63, 80, 100



[种类]

- 双作动型
- 伸出单动型
- 双轴双动型
- 单轴单动型

[Variations]

- Double acting type
- Single acting push type
- Double acting double rod type
- Single acting push double rod type

JKR系列 · 标准气缸 | JKR series (Standard Air Cylinder)

[特点]

- 吸收缓冲能力高
- 轻量、紧凑
- 种类丰富
- 缸径(mm)/20、25、32、40

[Features]

- Improved shock absorbing
- Lightweight and compact
- Wealth variations
- Bore size(mm)/20, 25, 32, 40

[种类]

- 尾部切削型气缸
- 引入单动型缸
- 气垫气缸
- 双活塞杆气缸
- 可変行程气缸
- 串联式气缸
- 双气缸

[Variations]

- Boss cut cylinder
- Single acting pull cylinder
- Air-cushioned cylinder
- Double rod cylinder
- Variable stroke cylinder
- Tandem cylinder
- Dual cylinder



JSG系列 · 伸缩气缸 | JSG series (Telescopic Cylinder)

[特点]

- 结构独特
- 吸收缓冲能力高
- 顺畅的动作设计
- 缸径(mm)/25、32、50、80

[Features]

- Unique structure
- Improved shock absorbing
- Smooth operation
- Bore size(mm)/25, 32, 50, 80



JSK系列 · 省空间气缸 | JSK series (Space-saving Cylinder)

[特点]

- 轻量、紧凑
- 种类丰富
- 吸收缓冲能力高
- 缸径(mm)/12、16、20、25、32、40、50、63、80、100

[Features]

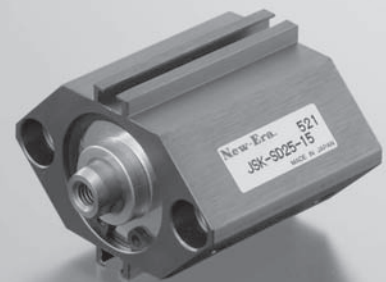
- Lightweight and compact
- Wealth variations
- Improved shock absorbing
- Bore size (mm)/6, 8, 12, 16, 20, 25, 32, 40, 50, 63, 80, 100

[种类]

- 双作动型
- 伸出单动型
- 引入单动型
- 双轴双动型

[Variations]

- Double acting type
- Single acting push type
- Single acting pull type
- Double acting double rod type



JMB系列 · 模组化小型气缸 | JMB series (Block Mini Cylinder)

[特点]

- 配管孔集中在后面
- 简洁的方形本体
- 轻量、紧凑
- 吸收缓冲能力高
- 不回转气缸
- 缸径(mm)/6、10、16、20、25

[Features]

- All pipings together in the back side
- Simple block body
- Lightweight and compact
- Improved shock absorbing
- Non-rotating type is available
- Bore size(mm)/6, 10, 16, 20, 25

[种类]

- 双作用型
- 伸出单动型
- 引入单动型

[Variations]

- Double acting type
- Single acting push type
- Single acting pull type



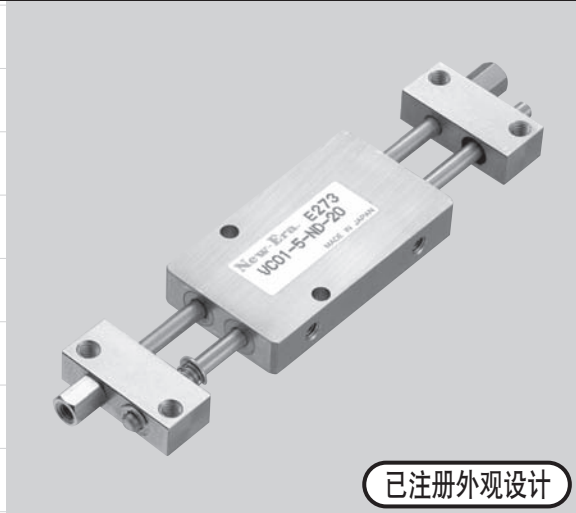
VC01系列 · 薄型真空气缸 | VC01 series (Super Slim Vacuum Cylinder)

[特点]

- 本体厚7mm
- 附带缓冲机构
- 标准对应NCU(非离子)
(部分镀镍)
- 气缸机构与吸附用贯通孔一体化

[Features]

- Super slim body of 7mm thickness
- Buffer function equipped
- Non-ionized materials used
(Partially-Nickel plating)
- Integrated combination of Cylinder structure and sucker through hole



已注册外观设计

PPT系列·内置小型线性导轨气缸 | PPT series (Compact Linear Guide with integrated Air Cylinder)

[特点]

- 行走平行度0.003mm(φ16)、安装平行度0.02mm(φ10、12、16)
- 使用高精度、高刚性线性导轨
- 耐腐蚀性优异 ●缸径(mm)/6、8、10、12、16
- PPTF(带浮动机构)、PPTH(带端锁机构)、PPTN(无附加装置)、PPTG(浮动+端锁)、PPTNF(无附加装置+浮动)

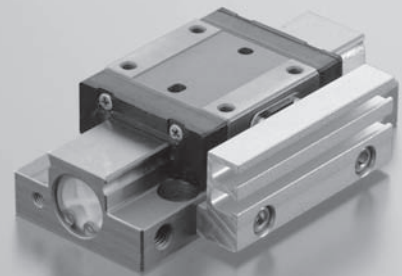
[Features]

- Running Travelling parallelism, 0.003mm (φ16)
- Installation parallelism, 0.02mm (φ10, 12, 16)
- High accurate and high rigid linear guide used
- Fine anti-corrosion ●Bore size (mm)/6, 8, 10, 12, 16
- PPTF (with Floating), PPTH (with End lock mechanism), PPTN (Clean room type), PPTG (with Floating & End lock mechanism), PPTNF (with Floating & Clean room type)

规格/Specifications

型号 Model	PPT ^{6Y} _{6M} ₆	PPT8	PPT10	PPT12	PPT16
行程(mm) Stroke(mm)	5,10	5,10,20	5,10,20	15,25	20,30

(上述行程为PPT系列的行程。PPTF、PPTH、PPTN、PPTG、PPTNF系列请另行咨询。)
(The above specifications is for PPT series. Please contact us about PPTF, PPTH, PPTN, PPTG and PPTNF series.)



PPU系列·执行元件内置工作台型线性导轨 | PPU series (Compact Linear Guide with head table)

[特点]

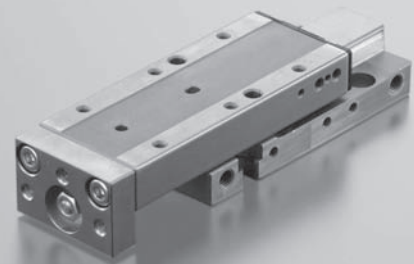
- 行走平行度0.004mm~0.006mm 安装平行度0.02mm
- 使用高精度、高刚性线性导轨
- 耐腐蚀性优异
- 缸径(mm)/10、12
- PPUH(带端锁机构)

[Features]

- Travelling parallelism (0.004~0.006mm), installation parallelism (0.02mm)
- High accurate and high rigid linear guide used
- Fine anti-corrosion
- Bore size (mm)/10, 12
- PPUH series with End lock mechanism

规格/Specifications

型号 Model	PPU10	PPU12
行程(mm) Stroke(mm)	15,30,45	20,30,45,60



PRZ系列·线性导轨+无杆气缸一体化 | PRZ series (Compact Linear Guide with longer stroke)

[特点]

- PPT、PPU的长行程型
- 采用一体化结构，宽度尺寸小，可用于狭窄空间
- 使用高精度、高刚性线性导轨
- 行程调节(缓冲器、橡胶挡块)、PPZH(带端锁机构)
- 缸径(mm)/12、16

[Features]

- Longer stroke of PPT and PPU series
- Available in narrow working space as small width
- High accurate and high rigid linear guide used
- Stroke adjustment (Shock absorber, rubber stopper)
- Bore size (mm)/12, 16

规格/Specifications

型号 Model	PRZ12	PRZ16
行程(mm) Stroke(mm)	50,100,150,200,250,300	



PRD系列 · 线性导轨 + 无杆气缸一体化 | PRD series (Pico Rodless, Linear Guide)

[特点]

- 采用新结构无杆气缸 (磁铁式)
- 厚度极薄 24mm (PRD16)、33mm (PRD25)、42mm (PRD32)
- 导轨有单体 (SD)、串联双体 (WG)、并联双体 (WR)、3个 (WA)、4个 (WH) 等形式
- 行程调节采用带金属挡块缓冲器
- 缸径 (mm) / 16、25、32

[Features]

- New structure rodless cylinder with a magnet in the cylinder
- Amazingly thin thickness, 24mm (PRD16), 33mm (PRD25), 42mm (PRD32)
- Two guide rails and slide guides provide single guide type (SD), serial double guide type (WG), Parallel double guide type (WR), 3-guide type (WA) and 4-guide type (WH)
- Stroke adjustment by metal stopper with shock absorber
- Bore size (mm) / 16, 25, 32

规格 / Specifications

型号 Model	PRD16	PRD25	PRD32
行程 (mm) Stroke (mm)	50, 100, 150, 200, 250, 300 ~ 最大 1200 (16) " 2000 (25, 32)		

(可制作以 50mm 为单位直至最大行程的产品。)
(Available 50mm step intermediate upto maximum stroke.)



FMT系列 · 小型高精度滑块元件 | FMT series (Compact and High Precision Actuator)

[特点]

- 使用高精度线性导轨
- 2个安装面
- 结构紧凑
- 缸径 (mm) / 6、10

[Features]

- High accurate liner guide used
- 2-way installation
- Compact design with lower height table
- Bore size (mm) / 6, 10

规格 / Specifications

型号 Model	FMT6	FMT10
行程 (mm) Stroke (mm)	10, 20, 30	



FXTW系列 · 多功能滑块元件 | FXTW series (Flat Table with multiple feature)

[特点]

- 气缸、线性导轨及工作台的厚度极薄
- 宽大型工作台
- 标准配备行程调节功能 (橡胶挡块)
- 缸径 (mm) / 8、10、15、20

[Features]

- Extremely thin body integrated air-cylinder, linear guides and table
- Versatile table
- Stroke adjuster with rubber stopper as standard
- Bore size (mm) / 8, 10, 15, 20

规格 / Specifications

型号 Model	FXTW8 FXTW10	FXTW15 FXTW20
行程 (mm) Stroke (mm)	30, 45, 60	30, 45, 60, 80, 100



PSL系列 · 线性导轨 + 气缸一体化 | PSLseries (Pico Slider)

[特点]

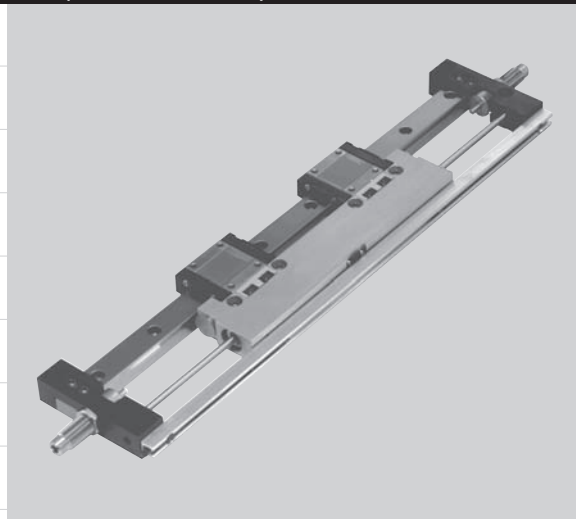
- PPT、PPU的长行程型
- 超薄型执行元件13mm(PSL8)、16mm(PSL12)
- 行走平行度0.004mm~0.007mm 安装平行度0.02mm
- 行程可调(带金属挡块缓冲器)
- 缸径(mm)/8、12

[Features]

- Longer Stroke of PPT and PPU series
- Extreme thin actuator, 13mm (PSL8), 16mm (PSL12)
- Travelling parallelism (0.004~0.007mm), installation parallelism (0.02mm)
- Stroke adjustment (Shock absorber, with metal stopper)
- Bore size(mm)/8, 12

规格/Specifications

型号 Model	PSL8	PSL12
行程(mm) Stroke(mm)	40,60,80,100	40,60,80,100,125,150



PSU系列 · 线性导轨 + 气缸一体化 | PSUseries (Pico Slider, larger size)

[特点]

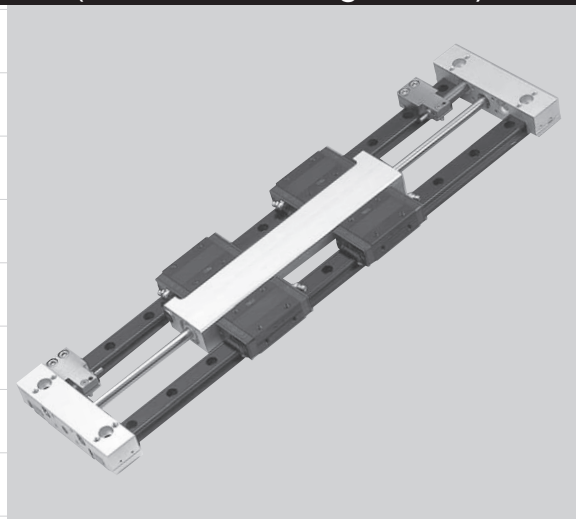
- PSL系列的尺寸增大
- 超薄型执行元件24mm(PSU16)、33mm(PSU25)
- 导轨有单体(SD)、串联双体(WG)、并联双体(WR)、3个(WA)、4个(WH)等形式
- 行程可调(带金属挡块缓冲器、缓冲器)
- PPUH(带端锁机构)

[Features]

- larger size of PSL series
- Extreme thin actuator, 24mm (PSU16), 33mm (PSU25)
- Two guide rails and slide guides provide single guide type (SD), serial double guide type (WG), Parallel double guide type (WR), 3-guide type (WA) and 4-guide type (WH)
- Stroke adjustment (Shock absorber, with metal stopper)
- PSUH series with End lock mechanism

规格/Specifications

导轨型号 Model	缸径(mm) Bore Size (mm)	标准行程(mm) Stroke(mm)
SD, WR	φ 16, φ 25	25,50,75,100
WG, WA, WH	φ 16	25,50,75,100
	φ 25	125,150,175,200



PRM系列 · 线性导轨 + 无杆气缸一体化 | PRMseries (Pico Rodless, mini size)

[特点]

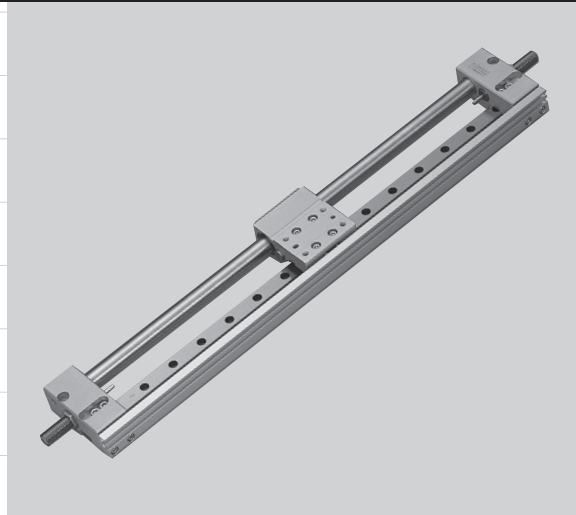
- 小型、轻量、紧凑
- 行程可调(缓冲器、橡胶挡块)
- 本体材质采用铝合金
- 缸径(mm)/8、12

[Features]

- Compact and lightweight
- Stroke adjustment (Shock absorber, rubber stopper)
- Aluminum alloy used for body
- Bore size (mm)/8, 12

规格/Specifications

型号 Model	PRM8	PRM12
行程(mm) Stroke(mm)	50,100,150,200,250,300	



PXY系列 · 误差吸收元件 | PXY series (Pico Positioner)

[特点]

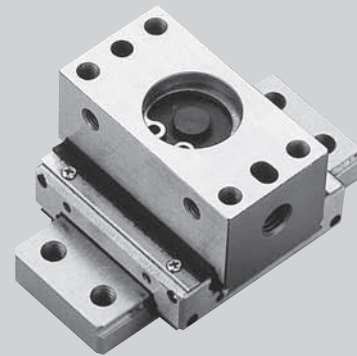
- 使用高精度、高刚性线性导轨
- 实现X-Y平面的滑动(可在 $\phi 1\text{mm}$ 或 $\phi 2\text{mm}$ 的范围内吸收误差)
- 通过空压返回中心位置或锁紧
- 可提供标准型、锁紧型、中心保持型

[Features]

- High-precision and high-rigidity linear guide is employed
- Sliding movement on X-Y plane is realized (positioning error absorbed in the range of 1 or 2mm)
- Returning to center position and locked by air pressure
- Standard type: returning to center End lock
Lock off type: releasing table by spring
Center hold type: centering by spring

规格/Specifications

型号 Model	PXY12-1	PXY12-2
误差吸收范围 Positioning error absorption unit	$\phi 1$	$\phi 2$



PST系列 · 薄型高精度气夹 | PST series (Pico Synchro)

[特点]

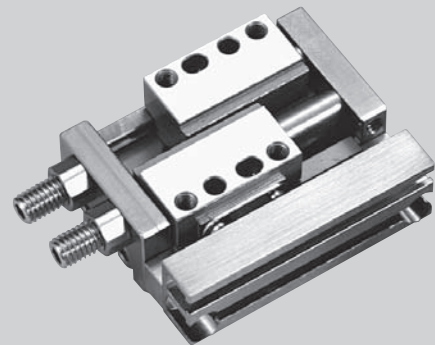
- 使用高精度、高刚性线性导轨
- 紧凑、薄型、开闭行程大
- 行程调节可采用金属挡块、橡胶挡块
- 并联配置的工作台可同步动作
- 缸径(mm)/6

[Features]

- High-precision and high-rigidity linear guide is employed
- Compact thin and large open-close stroke
- Metal and rubber stoppers are available
- Synchronized movement of two tables
- Bore size (mm)/6

规格/Specifications

型号 Model	PST6-5	PST6-10
行程(mm) Stroke (mm)	5	10



CTR系列 · 小型回转缸元件 | CTR series (Cube Type Rotary Actuator)

[特点]

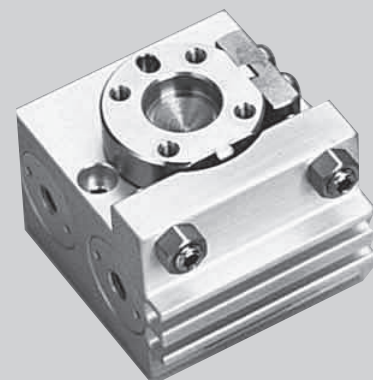
- 小型、轻量、高刚性的齿轮齿条型
- 气缸内置于齿条，大幅缩短了长度方向的尺寸
- 使用方便的立方体形本体
- 本体上下配置滚动轴承

[Features]

- Rack and Pinion type with Compact, Lightweight and High-rigidity
- Diminish in length using built-in cylinder in rack
- Easy-to-use cube type body
- Ball bearings employed for upper and lower body

规格/Specifications

型号 Model	CTR06	CTR1	CTR2
摆动角度(°) Stroke angle	90 · 180		



AFC系列·气爪更换器 | AFC series (Finger Changer)

[特点]

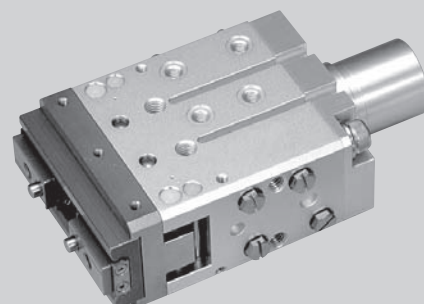
- 在气爪上配有工具更换功能
- 仅指部(线性导轨)可自动拆卸、更换
- 使用高精度、高刚性线性导轨

[Features]

- Provided with the function of tool changer
- Automatic attaching / detaching and exchanging of finger with bearing
- High-precision and high-rigidity linear guide is employed

规格/Specifications

型号 Model	AFC10	AFC16	AFC20
缸径(mm) Bore Size (mm)	10	16	20
开闭行程(mm) Stroke(mm)	10	10	14



JKX系列·高精度导轨内置气缸 | JKX series (Linear Bearing Cylinder)

[特点]

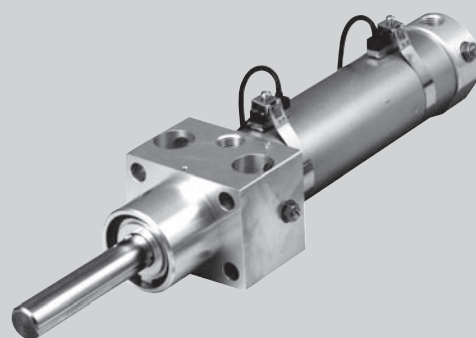
- 使用高精度滚珠导杆, 实现了优异的不回转精度
- 行程可按1mm为单位制作
- 可选配行程调节机构(推侧、拉侧)
- JKXN: 无尘型、JKXB: 双轴承

[Features]

- High non-rotation accuracy are realized by adoption of ball spline
- Available stroke by the milli meter
- Stroke adjustment for both at push and pull side of rod (option)
- JKXN: clean room use, JKXB: Double bearing use

规格/Specifications

型号 Model	JKX12	JKX16	JKX20	JKX25	JKX32	JKX40
缸径(mm) Bore Size (mm)	12	16	20	25	32	40
最大行程(mm) Max. Stroke (mm)	100	100	550	650	650	700



GXA系列·高精度导轨内置气缸 | GXA series (Square Cylinder)

[特点]

- JKX系列的方形缸体
- 行程可按1mm为单位制作
- 可安装推侧行程调节机构
- 带端锁机构

[Features]

- Square body from JXK series with round body
- Available stroke by the milli meter
- Stroke adjustment at push side of rod is available
- End-lock mechanism is available

规格/Specifications

型号 Model	GXA10	GXA15	GXA20	GXA25	GXA30
缸径(mm) Bore Size (mm)	10	15	20	25	30
最大行程(mm) Max. Stroke (mm)	100		200		



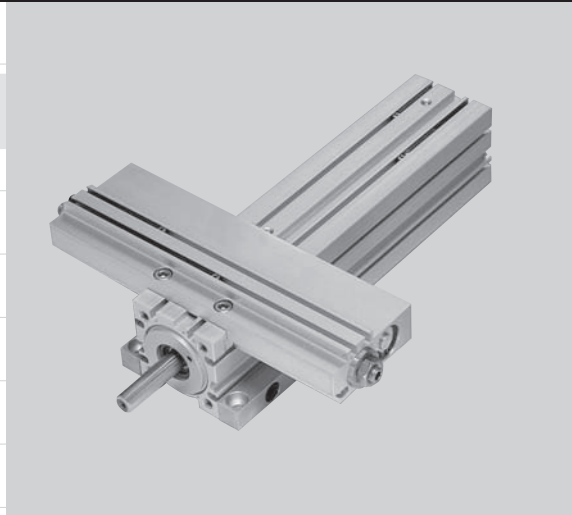
CTW/CTX系列 · 高精度导轨内置气缸 | CTW/CTXseries (High-accuracy guid combined Cylinder)

【特点】

- 以一个气缸实现高精度的往复运动和摆动
- 间隙 $\pm 0^\circ$ (摆动部采用齿轮齿条)
- 可安装推侧行程调节机构 (CTX系列)

【Features】

- High-accuracy reciprocating and rotary motion mechanism combined
- Backlash $\pm 0^\circ$ (for Rack & Pinion)
- Push stroke adjust mechanism can be employed (CTX series)



规格/Specifications

型号 Model	CTW/CTX25	CTW/CTX32
缸径(mm) Bore Size (mm)	25	32
最大行程(mm) Max. stroke (mm)	75	100
摆动角度($^\circ$) Stroke angle	90 · 180	

CZL系列 · 高精度导轨内置气缸 | CZLseries (Mini Swing)

【特点】

- 以一个气缸实现高精度的往复运动和摆动
- 通过安装外部驱动机构实现摆动
- 可选配推侧调节机构、端锁机构

【Features】

- High-accuracy reciprocating and rotary motion mechanism combined
- Rotary motion by external driver fitting
- Stroke adjust and End-lock mechanism (option)



规格/Specifications

型号 Model	CZL20	CZL25	CZL32
缸径(mm) Bore Size (mm)	20	25	32
最大行程(mm) Max. stroke (mm)	75	100	150
驱动源 Driving source	外部驱动 External driving		

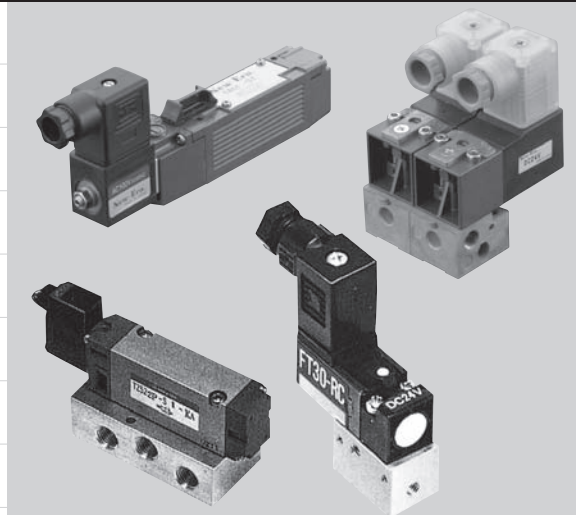
电磁式方向控制阀 | Solenoid Directional Control Valve

[特点]

- 直接配管型和底座连座型
- 三通和五通电磁阀

[Features]

- Two different types : Direct-piping type and Manifold type
- 3-Port · 5-Port Solenoid Valve



规格/Specifications

系列名 Series	气孔数 Port	位置 Position	控制 Solenoid Control System	配管方式 Piping	有效横截面积(mm ²) Effective cross-section area (mm ²)
LM30	3	2	直动式 Direct-acting popet	直配管型 Direct piping	0.9
LX31	3	2	直动式 Direct-acting popet	底座型 Base mounted	1.8, 1.4
FT30	3	2	直动式 Direct-acting popet	底座型 Base mounted	0.57
TA51	5	2 / 3	电磁式、气压式 Solenoid operated, Air operated	底座型 Base mounted	8.0, 3.7
TZ50	5	2 / 3	电磁式 Solenoid operated	直配管、底座型 Direct piping, Base mounted	4, 3.4
TZ51T	5	2 / 3	电磁式、气压式 Solenoid operated, Air operated	直配管型 Direct piping	10, 12
TZ52	5	2 / 3	电磁式 Solenoid operated	直配管、底座型 Direct piping, Base mounted	13, 15, 18
TZ51P	5	2 / 3	电磁式 Solenoid operated	底座型 Base mounted	8, 10

流体元件 · 逻辑元件 | Fluid control device (Logic element)

[特点]

- 可采用全气压式控制
- 不用电, 适合防爆及磁性环境

[Features]

- All controlled by pneumatic pressure
- Non-electricity device gives best suited to the use in explosive or magnetic atmosphere



